

Royal double sofa

Royal double sofa

The sofa is part of the Royal sofa set Collection, a family composed of small table, sofa and chair. With its minimal design the sofa has a large seating which can easily accommodate two people, and if you sit closer it's good enough even for three. Royal double sofa collection is perfect for decorating gazebos, porticos, beaches, winter and summer terraces; it can customize with character and elegance even indoor spaces such as reception, clubs, discos, reception and entrance.



Products / Sofa / Royal double sofa



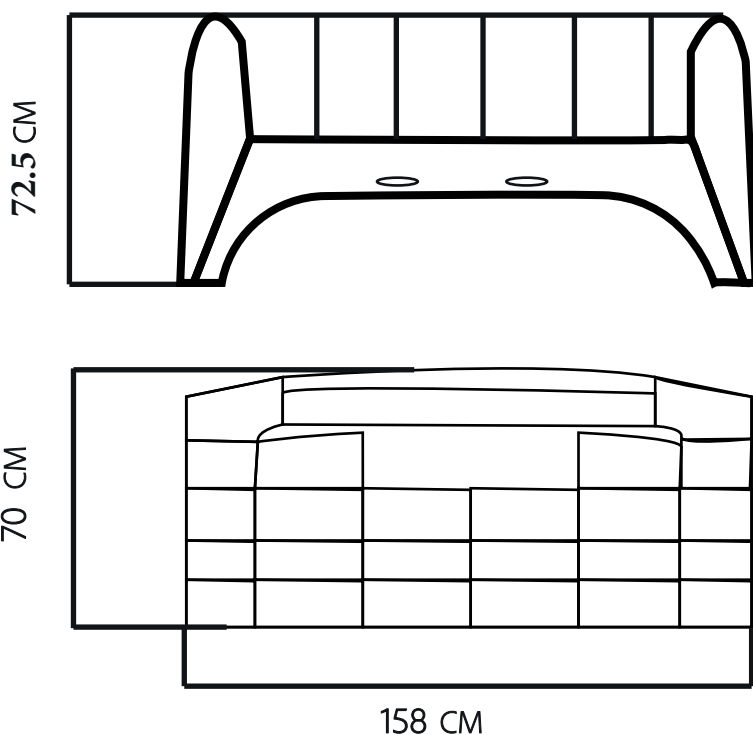
www.rotolex.com

📍 Amman-Jordan
🌐 info@rotolex.com

Description

Made of %100 polyethylene materials Environmentally friendly the product is suitable for indoor and outdoor use
Available in different finishes

Weight: 23 Kg



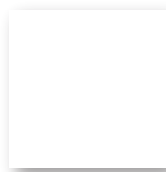
www.rotolex.com

Amman-Jordan
info@rotolex.com



Finishes

BASIC Ref. 21141



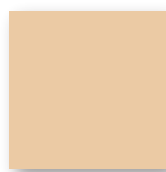
White



Brown



Red



Beige



Light
Purple



Light
Green



Orange



Light
Blue



www.rotolex.com

📍 Amman-Jordan
🌐 info@rotolex.com



Ambients



www.rotolex.com

📍 Amman-Jordan
🌐 info@rotolex.com